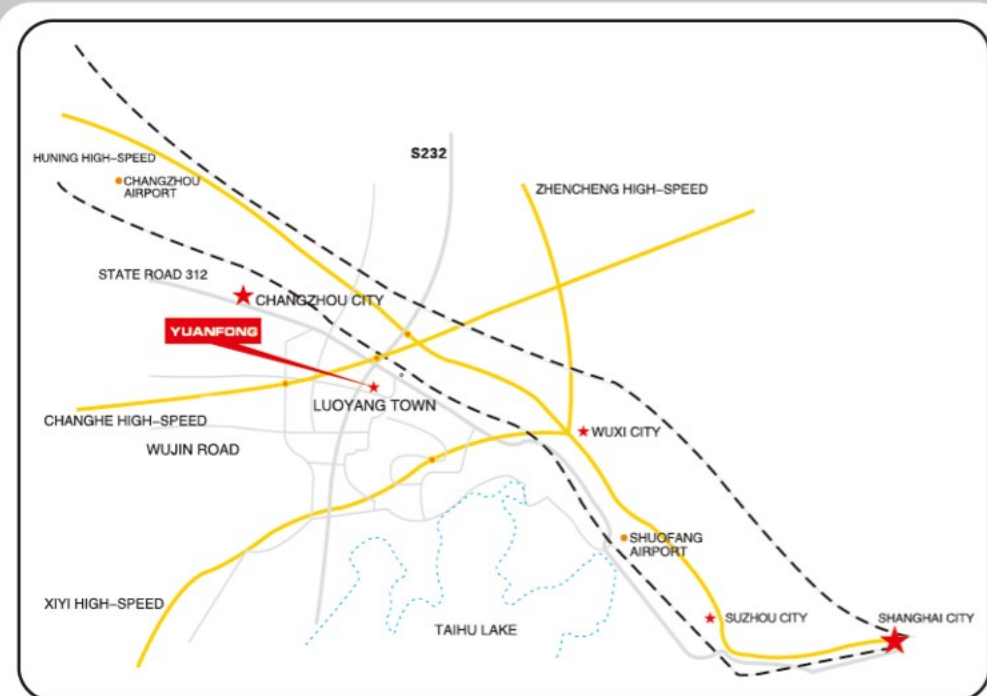


Contact person: Mr. Shine Gu  
MOBILE: 0086-13401558444  
E-mail: shine@yfpres.com

TEL: 0086-519-88552628  
Http://www.yfpres.com  
Http://www.beccor.net  
ADD: ChangZhou City, JiangSu Province, China.



Professional Manufacturer of Press Machine Lines



## ABOUT US

Based on its Human resource and know-how, YUANFONG has delivered about thousands of short cycle laminating lines and other press to customers worldwide:

Ultrastrong closed frames

Intelligent electrical control

Hydraulic system with larger sizes cartridge valves

Perfect detail processing

Low failure rate

Up-to-date scientific management

Meticulous after-sale service

### Why they all select US?

Changzhou Luotong Machinery Co.,Ltd is specialized in R&D and producing hydraulic presses .After years of development, Luotong has owned self-developed brand---"YUANFONG"hot press. The annual amounted production of 300 sets each year helps Luotong get the leading domestic level in China.

"YUANFONG" hot presses are widely used in wood processing ,building material ,decoration and other industries ,which could be applied to laminating melamine-impregnated paper in one side or both sides of particle board(chipboard),MDF,blockboard (ecology board)and plywood to produce furniture board,door skin ,or other faced ,as well as it is suitable for laminating decorative paper,wearable paper and balance paper in both sides of HDF board to produce laminate flooring .End product size ranges:4X8ft,4X9ft,5X8ft,6X8ft,7X9ft,6X12ft and other specs.

As a result of strong technical forces , superior process equipment ,classy production environment and up-to-date scientific management model,we keep on providing customers with better products .As a result of brought up high quality professional marketing team and established a large sales network at home and abroad ,we keep on providing the full and the better service to customers.

Your decision on "YUANFONG" hot press is the promise for mature technology and high value added products.

## Corporate culture

### Enterprise development goals

Build a world-renowned brand

### Enterprise idea

Value: Only professional factory can manufacture excellent products.

Management concept: Honest, trustworthy, efficient and innovative

Quality: Enterprises that focus on quality have bright future

Team concept: No perfect individual, only the perfect team

Service concept: First person and then work

Development concept: Have the whole world in view of transnational operation

Our pursuit: Customer satisfaction is our eternal pursuit



### Enterprise spirit

Continuously improve the level of professional and technical level, enhance the core competitiveness of enterprises, Focus on the advantages of the self, excellence, casting brand model.

### Qualifications and honors obtained

Our company has its own brand "YUANFONG", which enjoys a high reputation in the industry

Our company has a number of utility model patent certificates and design patent certificates

Passed GB/T 19001-2016/ISO9001:2015 quality management system certification

In 2017, Obtained the honorary certificate of "CCTV Broadcasting Brand";

In 2019, District Growth Industrial Enterprises

In 2021, become the director unit of China Forestry Industry Association, Decorative Paper and Decorative Panel Professional Committee

In 2021, become the "Top 100 Chinese Home Furnishing Supply Chain Top 100" unit of the All-China Federation of Industry and Commerce Furniture Decoration Chamber of Commerce

In 2017, awarded the honorary certificate of "CCTV Show Brand"

In 2021, became the director unit of China Forest Industry Industry 4E Association, Decorative Paper and Trim Board Professional Committee

In 2021, became one of the "Top 100 China Home Furnishing Supply Chain" units of the National Federation of Industry and Commerce Furniture and Decoration Industry Chamber of Commerce



## TECHNOLOGY-FIRST, QUALITY ASSURANCE

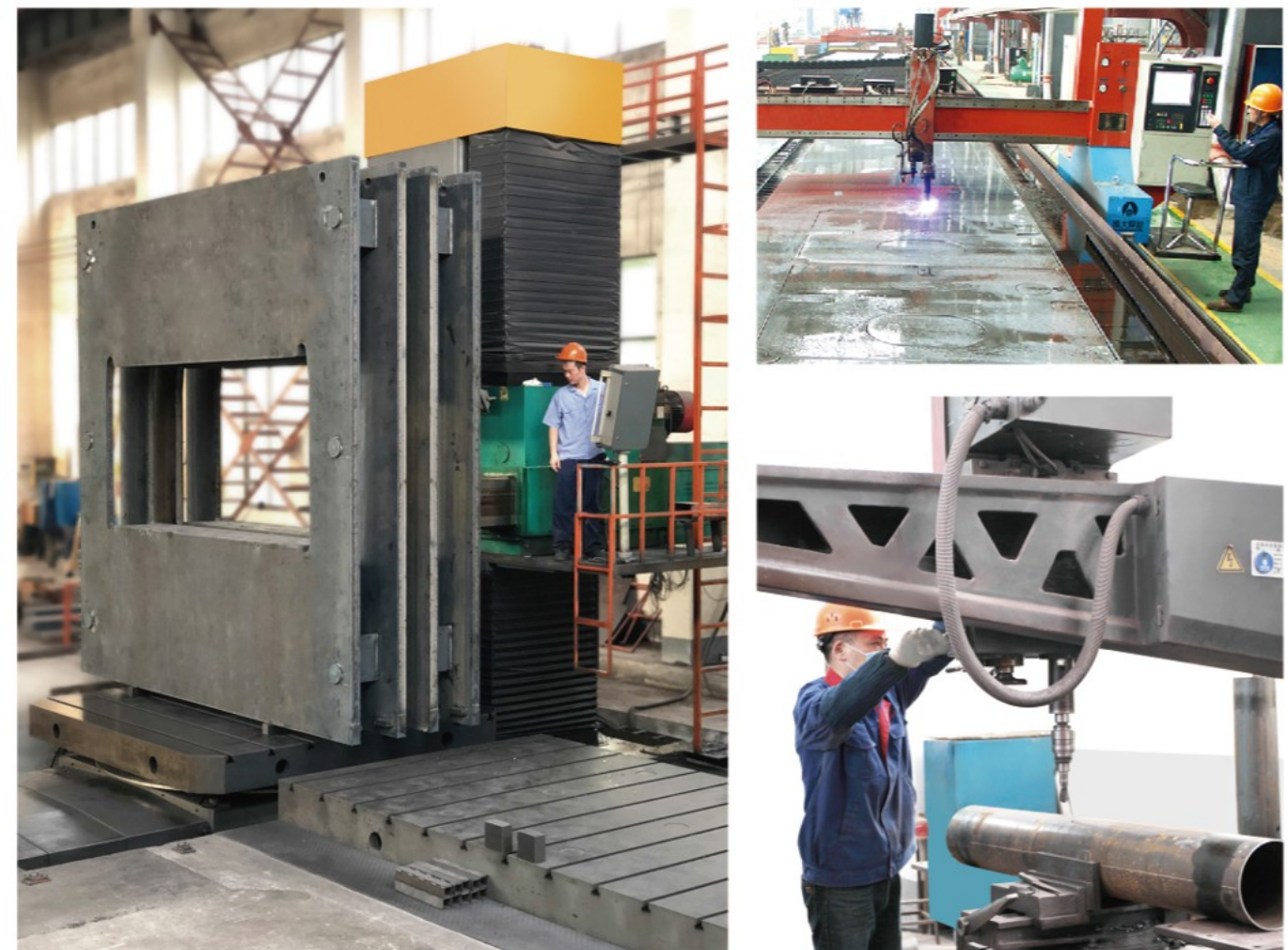
"The products with high technology,high performance,high quality" is our technical principle ,which can be visualized in whole manufacturing process,routine test and delivery inspection as well as in the control of raw material purchase and stable accessories selection.



### Quality assurance

Change and innovation are the two main themes of enterprise development, and total quality management is increasingly becoming an important competitive factor. In the ever-changing environment, "YUANFONG" always holds a positive attitude. "The R&D department of "YUANFONG" Based on the purpose of constantly surpassing and pursuing perfection, in order to obtain the absolute reliability of the products, free discussions and repeated tests are conducted. The fusion of technology and innovative ideas makes the products of "YUANFONG" trustworthy.





**Perfect quality is the result of advanced manufacturing equipments.**

YUANFONG has introducing various high precise numerical control tools ,CNC machining center and advanced inspection instruments,strict&sound quality management system to ensure the stability and reliability of the products. Products' quality is obtained from the advanced means of production,a sense of superiority derived from continuous innovation.

## Market and case

We are proud of our own professional team with more than 16 years experience in customized design and manufacture, installation and test, technical solution, and after-service, we have been established and keeping good business relationship with a large amount of worthy clients all over world.



### MAJOR CLIENTS

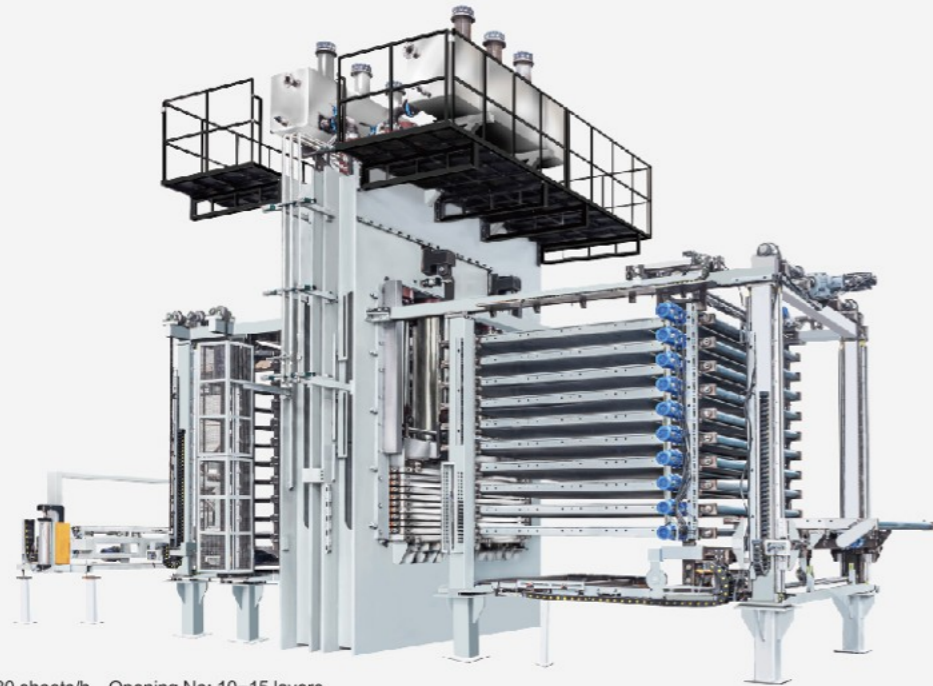
#### Abroad

- |              |             |
|--------------|-------------|
| Thailand     | Kazakhstan  |
| Uzbekistan   | Pakistan    |
| Brazil       | Kampuchea   |
| South Africa | Chile       |
| Dubai        | Vietnam     |
| Russia       | Qatar       |
| Indonesia    | India       |
| New Zealand  | Laos        |
| Saudi Arabia | Philippines |
| Malaysia     | Turkey      |
| Bangladesh   | Venezuela   |
| Egypt        | Mexico      |
| Iran         | Kyrgyzstan  |
| Colombia     | Peru        |

## Some of our customers



## FILM / MELAMINE FACED PLYWOOD PRESS MACHINE



Capacity: 100 – 180 sheets/h Opening No: 10–15 layers

It is suitable for making melamine faced plywood, Phenolic, melamine paper. Making high-gloss melamine faced MDF.  
The production line is fully automatic for loading and unloading boards, with convenient production operation and high production efficiency.



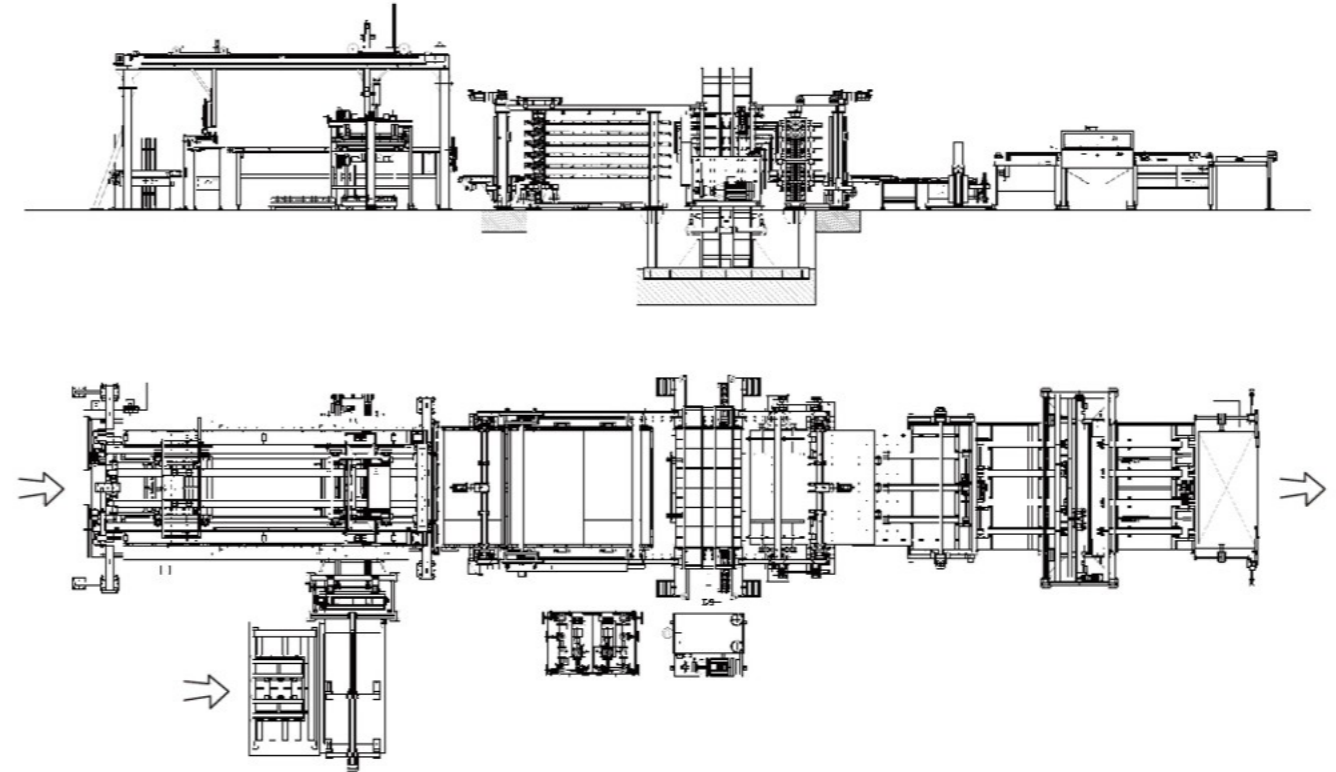
Capacity: 60–120 sheets/h Opening No: 5–10 layers

### Technical parameters

Model	Total pressure of the width(kN)	Diameter of plunger cylinder(mm)	Num of plunger cylinder(pc)	Width size	Num of layers	Distance between layers(mm)
HKF-600	6000	Φ280	4	Depends on customers	5-15	180-200
HKF-800	8000	Φ320	4			
HKF-1000	10000	Φ360	4			
HKF-1200	12000	Φ400	4			

## Production line

### Film in sheet



### Film in roller

